

USI-2535CLU3



User's Manual

USB 3.0 to SATA / SSD & IDE
Clone Adapter for 2.5" & 3.5" Hard Drives



www.kingwin.com

Package Content:

- USB to SATA/IDE Bridge Adapter
- USB 3.0 Cable
- AC/DC Power Adapter
- 3.5" to 2.5" IDE Bridge Board
- 4 Pin IDE Power Adapter
- User's Manual

Features:

- USB 3.0 to SATA / SSD and IDE adapter .
- Connect to three different sizes of drive mechanism to USB. (2.5", 3.5", and 5.25")
- Support both SATA & IDE types of drives.
- SATA III & USB 3.0 (5 Gbps) compatible.

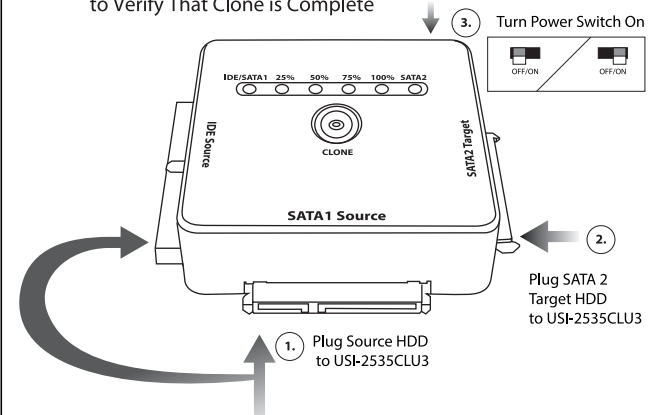
System Requirements:

- Windows 2000/XP/Vista/7/8
- Mac OS x 10 or Higher
- PC/Mac with one available USB port.

Installation:

USI-2535CLU3 Clone Function

1. Plug Source HDD to USI-2535CLU3
 2. Plug SATA2 Target HDD to USI-2535CLU3
 3. Turn on USI-2535CLU3, Wait for the IDE/ SATA1 and SATA2 RED LED Light to Turn Solid (No Need to Connect USB 3.0 at This Time)
- Click "CLONE" Button Once for 3 Seconds
 - The BLUE LED Lights Will Start Blinking from 25% -100%
 - After all 4 BLUE LEDs Turn Solid, Turn Off Unit
 - Connect USI-2535CLU3 to PC by USB 3.0 Cable, Turn On Unit to Verify That Clone is Complete

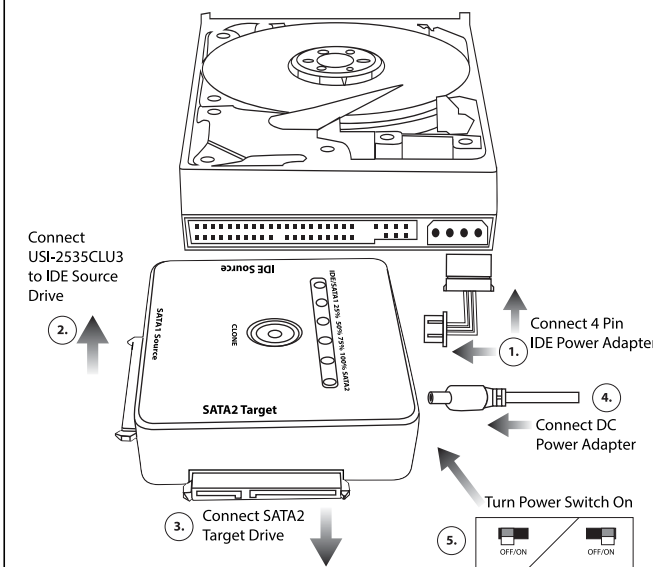


NOTICE:
Ensure Target Drive has Larger Capacity and is Formatted Before Cloning
Do NOT Connect USI-2535CLU3 to USB 3.0 when Cloning
If Source HDD is 2.5" IDE Use 2.5" IDE Bridge Board

Installation:

3.5" IDE Source to SATA2 Target

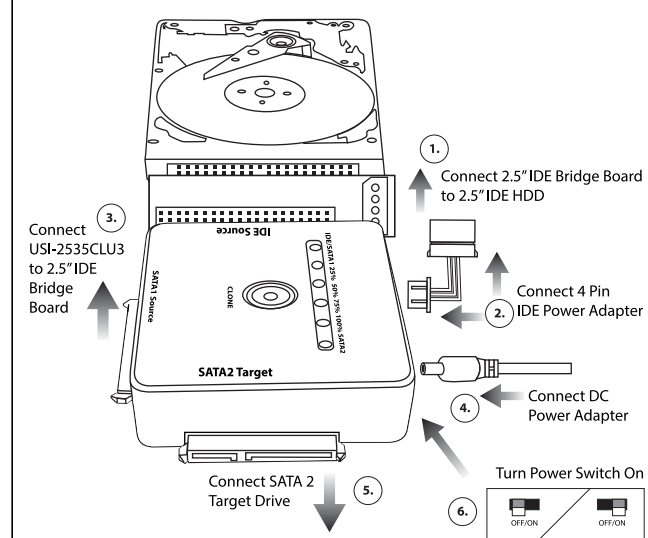
1. Connect 4 Pin IDE Power Adapter
2. Connect USI-2535CLU3 to IDE Source Drive
3. Connect USI-2535CLU3 to SATA2 Target Drive
4. Connect DC Power Adapter
5. Turn Power Switch to On



Installation:

2.5" IDE Source to SATA2 Target

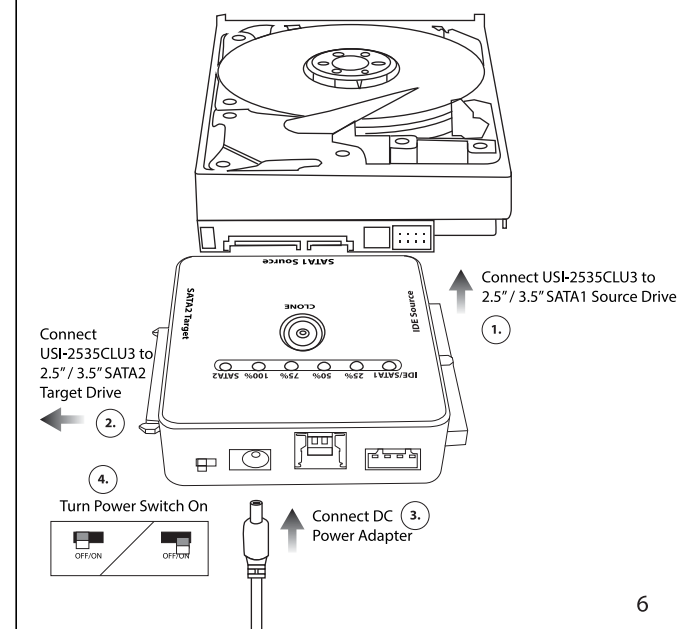
1. Connect 2.5" IDE Bridge Board to 2.5" IDE HDD
2. Connect 4 Pin Power Adapter
3. Connect USI-2535CLU3 to 2.5" IDE Bridge Board
4. Connect DC Power Adapter
5. Connect SATA Target Drive
6. Turn Power Switch On



Installation:

3.5" & 2.5" SATA1 Source to SATA2 Target

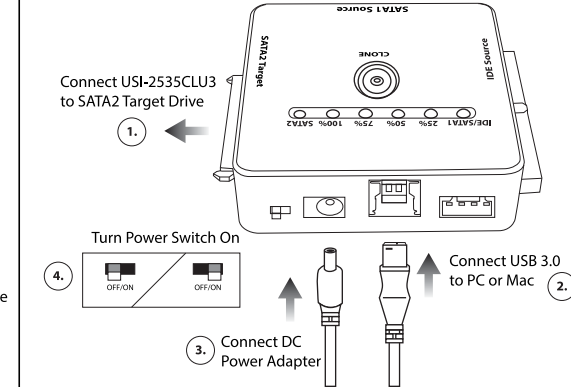
1. Connect USI-2535CLU3 to 2.5" / 3.5" SATA1 Source Drive
2. Connect USI-2535CLU3 to 2.5" / 3.5" SATA2 Target Drive
3. Connect DC Power Adapter
4. Turn Power Switch On



Installation:

USI-2535CLU3 to PC

1. Connect USI-2535CLU3 to SATA 2 Target Drive
2. Connect USB 3.0 to PC or Mac
3. Connect DC Power Adapter
4. Turn Power Switch On



WARNING
Please handle with care. Kingwin is not responsible for any software, hardware, or data lost within the hard drive.

Made In China

www.kingwin.com