

90mm

90mm

130mm



KF-4001-BK

4 Bay mobile rack

User Manual



3.5" Internal RAID-4 BAY
Hard Drives Not Included



www.kingwin.com



KIM Technology, Inc.
4020 Valley Blvd, Unit 100
Walrus, CA 91789
TEL: 909-948-2888
FAX: 909-948-1133
Email: sales@kingwin.com
www.kingwin.com

KF-4001-BK

4 Bay mobile rack

Product Feature:

- Fits four SATA hard drives in three empty drive bays
- Support SATA 2(3.0Gbits/s)
- NSS patent connect, support 50,000 times cycle hot swap
- LED indicator for power and HDD reading
- The door frame have convection design, well scientific heat ventilation
- A fan of 1500 rpm 120*120*25 mm, help to heat ventilation
- Easy cable to connect

Specification:

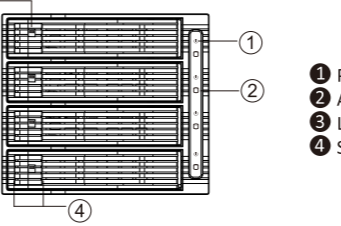
Interface:	SATA
Transmission speed:	3.0Gbps(SATA II)
Product weight:	1512 g
Support system:	Windows Me/ Windows 2000/ XP/ Vista/7/ Mac9.1 above/ 10.2 above
Product size:	215mm x 148mm x 127mm
Operation temperature:	0°C ~ 55°C

[01]

KF-4001-BK

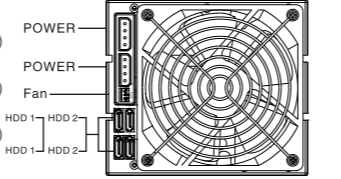
4 Bay mobile rack

Front panel:



- Power LED Indicator
- Access LED Indicator
- Lock
- Spring lock for front door

Back panel:



- POWER
- FAN
- HDD

- Power cable Conn
- Fan Conn
- SATA data Conn

Packing Content:

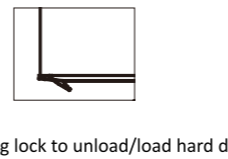
KF-4001-BK	1pcs
Mounting screw	8pcs
User manual	1pcs
SATA data cable	4pcs
Keys	2 pcs

[02]

KF-4001-BK

4 Bay mobile rack

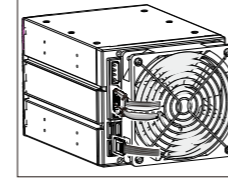
Spring Lock For Front Door:



Pull the spring lock to unload/load hard drive.

Connect:

- Using four pcs SATA Data cables connect to power plug of HDD and fan.
- Connecting SATA cable to SATA port.

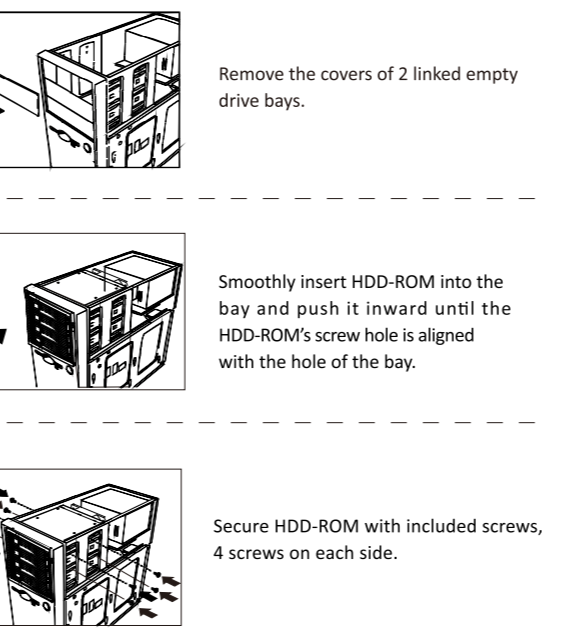


[03]

KF-4001-BK Manual

Installation:

- Remove the covers of 2 linked empty drive bays.
- Smoothly insert HDD-ROM into the bay and push it inward until the HDD-ROM's screw hole is aligned with the hole of the bay.
- Secure HDD-ROM with included screws, 4 screws on each side.



[04]

KF-4001-BK Manual

Inserting the Hard Drive

- Use keys included and push downward on the latch lock to unlock the door, then pull the spring lock to open the front panel.
- Insert the hard drive in the rack, label (printed) side up. Do NOT forcefully close the front door. If the hard disk is inserted properly, the door will close firmly. Forcefully closing the door may damage the hard drive.
- Push in the front panel to close the door, then use keys included to push upward on the latch lock to lock the door.

Attention:

- While HDD is busy, please do not eject the HDD.
- The hard drive is fragile hardware. Please handle with care and read the hard drive manual to prior use.

[05]

KF-4001-BK Manual

Removing the Hard Drive

- Open the easy latch door. Make sure to close all applications and programs before removing the hard drive, as damage to the drive or data loss could result.
- Carefully remove the hard drive from the rack. The hard drive temperature may reach up to 50°C. Hold the hard drive by the edges to avoid heat.
- Firmly close the front panel door.

Attention:

- Please do not put anything into the HDD-ROM.
- Always close the front door to avoid the outer force damage or dusts.

[06]

KF-4001-BK Manual

Additional Cautions:

- The power of the fan must be connected in order to prevent overheating and damage to the hard drive.
- Do not force the front door closed to prevent the rack damaged. The front door will close firmly if the hard drive is inserted properly.
- Please do not remove the hard drive unless the power is off.
- We provide maintenance service if the device fails. However, we do not support any data loss or other hardware damage.

[07]